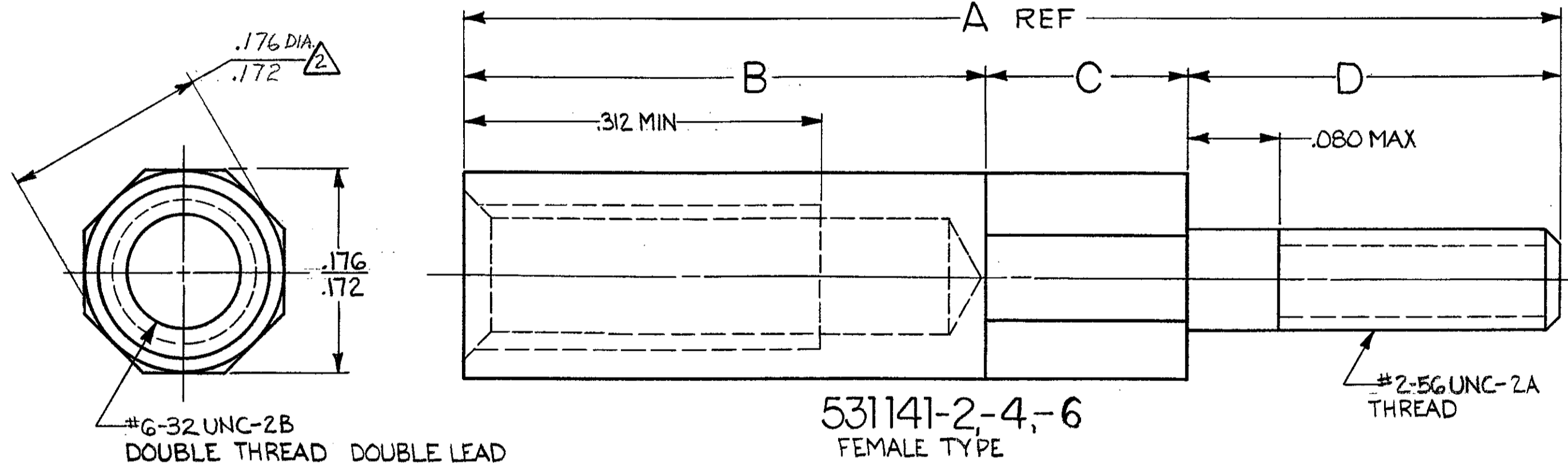
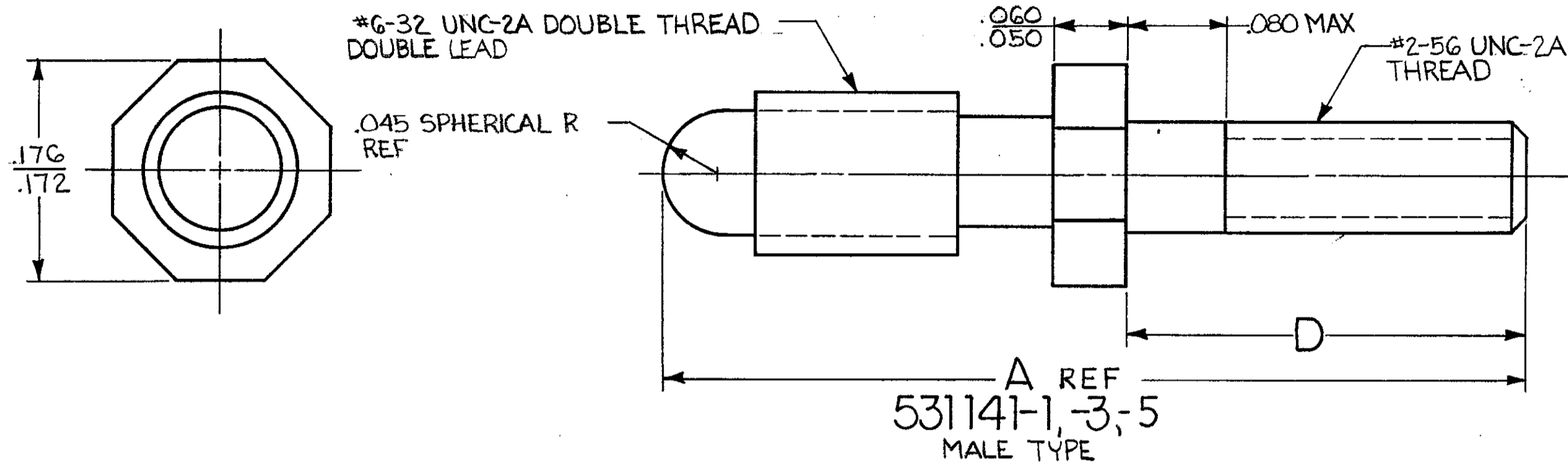


© COPYRIGHT 19 BY AMP INCORPORATED, HARRISBURG, PA.
 ALL INTERNATIONAL RIGHTS RESERVED. AMP INCORPORATED PRODUCTS
 COVERED BY U. S. AND FOREIGN PATENTS AND/OR PATENTS PENDING.

REVISIONS						
P	F	ZONE	LTR	DESCRIPTION	DATE	APPROVED
			0	WAS 5085-406		
✓	✓		A	REVISED PER ECN AB-0948	db 7-2-85	EAM
✓	✓		A1	ADDED -5, -6; ECN AB-1064	db 8-19-85	EAM
✓	✓		B	REV. PER DF-2916	BR 3-27-90	ASH
			C	REV PER 0600-G466-97	TT 10-98	BA



1. USE WITH 1000 SERIES RECEPTACLE
 (EXT KEY TYPE) TO MATE WITH PIN HEADER 530752
 #2-56 NUT REQUIRED.
 CORNERS RADIUSED TO DIAMETER SHOWN OVER
 LENGTH B.

		.500	.180	.455	1.135	531141-6
OBS		.500			.875	-5
	M55302/113-13	.325	.180	.455	.960	-4
	M55302/113-14	.325			.700	-3
OBS		.395	.055	.560	1.010	-2
		.375			.750	531141-1
	MILITARY PART NO.	D	C	B	A	PART NO

UNLESS OTHERWISE SPECIFIED DIMENSIONS ARE IN INCHES. TOLERANCES ON: DECIMALS ±.010 ANGLES ±	CONTRACT NO	AMP AMP INCORPORATED Harrisburg, Pa.	
	DR Debra Kelly 8-17-79		
MATERIAL STAINLESS STEEL	CHK R. Durbin 8/22/79	NAME MOUNTING HARDWARE MALE & FEMALE	
	APPD R. Durbin 8/22/79		
FINISH PASSIVATED	APPD R. Durbin 8/22/79	SIZE CODE IDENT NO DRAWING NO	
	DSGN APPD	C 00779 531141	
	OTHER APPD	SCALE 10:1	SHEET